

A

B

C

D

E

F

A

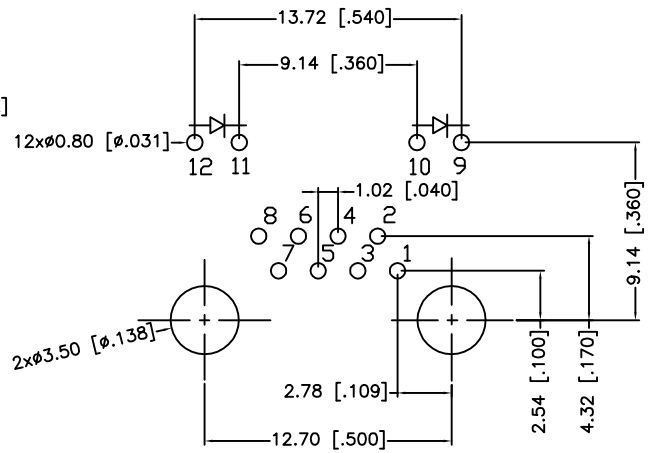
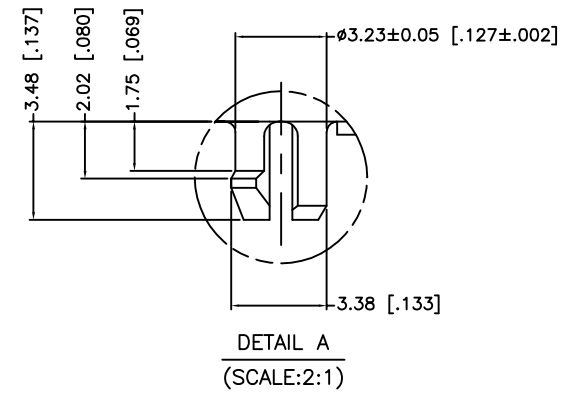
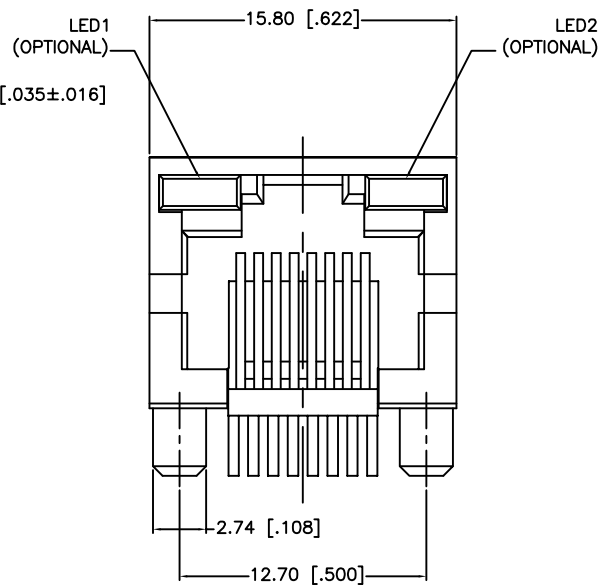
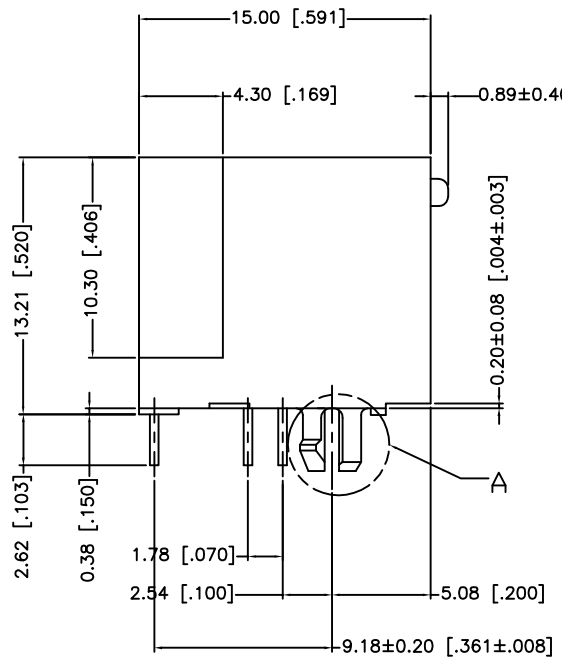
B

C

D

E

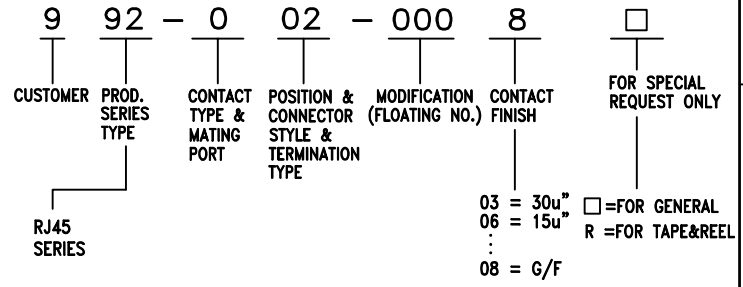
F



**RECOMMENDED PC BOARD DIMENSIONS**

**NOTE:**

1. MATERIAL:  
CONTACTS—COPPER ALLOY.  
HOUSING—HIGH TEMPERATURE PLASTIC UL 94V-0, COLOR BLACK.
2. FINISH:  
CONTACTS—HARD GOLD ON MATING AREA, TIN ON TERMINATION AREA, OVER NICKEL OVER ALL.
3. PROD. NUMBER: SEE 992-002-0000.  
PROD.CODE SPECIFICATION.



**PROPRIETARY NOTE:**  
THIS DOCUMENT CONTAINS INFORMATION CONFIDENTIAL AND PROPRIETARY TO LONGWELL COMPANY AND SHALL NOT BE REPRODUCED OR TRANSFERRED TO OTHER DOCUMENTS OR DISCLOSED TO OTHERS OR USED FOR ANY PURPOSE OTHER THAN THAT FOR WHICH IT WAS OBTAINED WITHOUT THE EXPRESSED WRITTEN CONSENT OF LONGWELL COMPANY.

X. ±	APPD: Mari Chen 03.01'2009	
.X ± 0.25[.010]	CHKD: Mari Chen 03.01'2009	
.XX ± 0.20[.008]	DR: Betty Tai 03.01'2009	TITLE: CONN. RJ45, WITH LED'S FLAT PIN, SIDE ENTRY JACK
.XXX ±		DWG NO: 992-002-0000
X' ± 2'		
.X' ± 1'		
	UNITS: mm [INCH]	SCALE: NONE
SHEET: 1 OF 2		REV: A

REV	ECN NO	DESCRIPTION	APPD.	DATE
A	E17-2003-002	DWG.REL.	Mari	07.07'2003

## Performance Criterion:

---

### ◦ Electrical—

Contact Current Rating: 1.5A at 150 V AC min. per contact.

Low Level Contact Resistance: 20 m $\Omega$  max.

Insulation Resistance: 500 M $\Omega$  min.

Dielectric Withstanding Voltage: 1000 V AC for one minute at sea level.

Contact Capacitance: 10 pF max. at 100KHz.

### ◦ Mechanical—

Durability: 500 mating cycles. (20~30 cycles per minute.)

Mating Force: 2P - 1.6Kg max.

4P - 1.8Kg max.


6P - 2.1Kg max.

8P - 2.3Kg max.

10P - 2.5Kg max.

### ◦ Environmental—

Temperature: -40°C to +85°C

TITLE: <b>SPECIFICATION</b>	 <b>Longwell</b>
PROD SERIES: CONN. RJ45, WITH LED'S FLAT PIN, SIDE ENTRY JACK	APPD: <b>Mari Chen</b> 03.01'2009
DWG NO: 992-002-0000	CHKD: <b>Mari Chen</b> 03.01'2009
	PR: <b>Betty Tai</b> 03.01'2009
	SHEET: 2 OF 2   REV: A