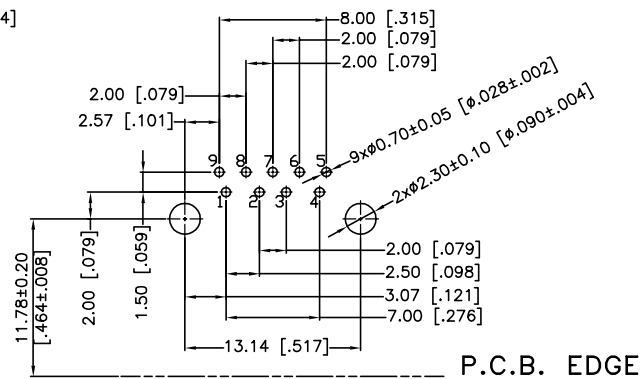
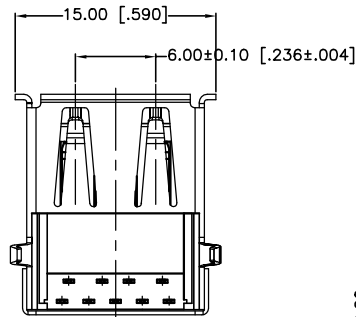
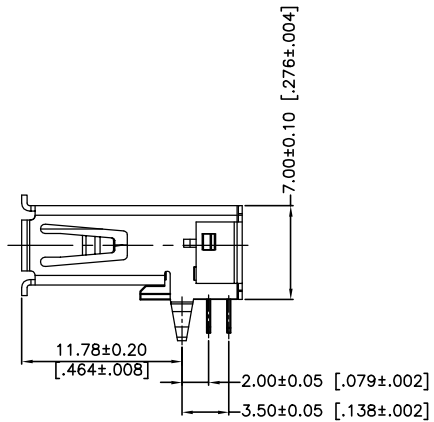
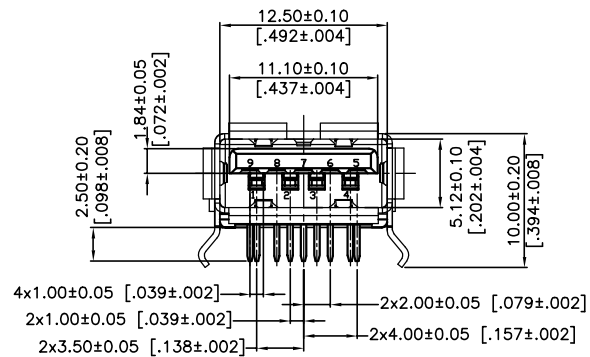
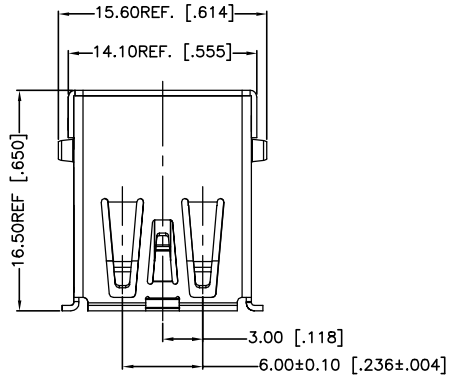
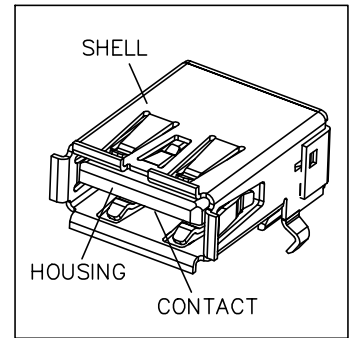


A  
B  
C  
D  
E  
F

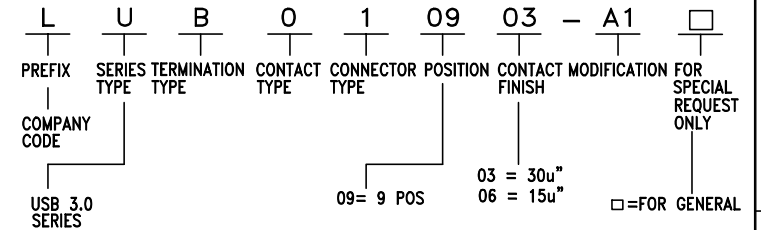


RECOMMENDED PC BOARD DIMENSIONS



**NOTE:**

- MATERIAL:  
CONTACT—COPPER ALLOY.  
HOUSING— HIGE TEMPERATRE PLASTIC, UL 94V-0 ,  
COLOR: BLUE.  
SHELL—COPPER ALLOY.
- FINISH:  
CONTACTS—HARD GOLD ON MATING AREA,  
TIN ON TERMINATION AREA, OVER NICKEL OVER ALL.  
SHELL—NI PLATED.
- PROD. NUMBER: SEE 950-025-0000.  
PROD.CODE SPECIFICATION.



- CONNECTOR INTERFACE DIMENSIONS MEET USB 3.0 SPEC
- RECOMMENDED PC BOARD THICKNESS : 1.60mm.

**PROPRIETARY NOTE:**  
THIS DOCUMENT CONTAINS INFORMATION CONFIDENTIAL AND PROPRIETARY TO LONGWELL COMPANY AND SHALL NOT BE REPRODUCED OR TRANSFERRED TO OTHER DOCUMENTS OR DISCLOSED TO OTHERS OR USED FOR ANY PURPOSE OTHER THAN THAT FOR WHICH IT WAS OBTAINED WITHOUT THE EXPRESSED WRITTEN CONSENT OF LONGWELL COMPANY.

X. ± 0.38[.015]	APPD:	
.X ± 0.25[.010]	Mari Chen 05.13'2009	
.XX ± 0.13[.005]	CHKD:	TITLE:
.XXX ±	Mari Chen 05.13'2009	USB 3.0 A RECEPTION, R/A T/H, SINGLE
X" ±	DR:	DWG NO:
.X" ±	Go 05.13'2009	950-025-0000
	UNITS:	SCALE:
	mm [INCH]	NONE
SHEET: 1 OF 2		REV: A

REV	ECN NO	DESCRIPTION	APPD.	DATE
A	-	DWG.REL.	Mari	05.13'2009

## Performance Criterion:

---

- Mechanical—

Durability: 1500 mating cycles.(200 cycles per hour.)

Mating Force: 35 N max.(3.57Kg)at a max. rate of 12.5mm per minute.

Unmating Force: 10 N min.(1.0Kg)initial,8N (0.82Kg) after the specified insertion/extraction or durability cycles.

- Electrical—

Contact Current Rating: 1.8A max.for pin1,pin4

0.25A max.(all the other contacts).

Low Level Contact Resistance: 30 m $\Omega$  max. initial,

for VBUS and GND contact.


50 m $\Omega$  max. initial for all other contacts.

Insulation Resistance: 100 M $\Omega$  min.

Dielectric Withstanding Voltage: 100 Volts AC (RMS).

- Environmental—

Temperature: -55°C to +105°C

TITLE: SPECIFICATION	
PROD SERIES: CONN. USB 3.0 A RECEP. R/A T/H SINGLE	APPD: Mari Chen 05.13'2009 CHKD: Mari Chen 05.13'2009
DWG NO: 950-025-0000	PR: Go 05.13'2009 SHEET: 2 OF 2 REV: A