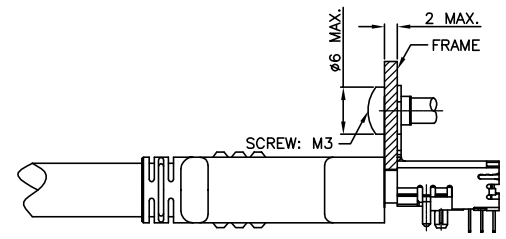
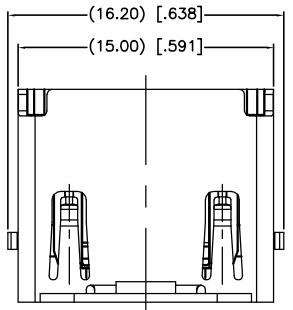
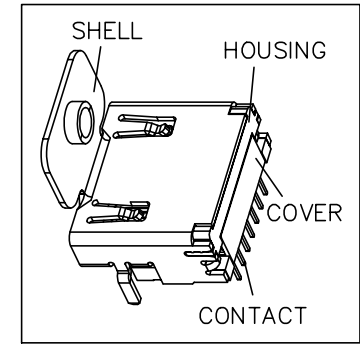


1 2 3 4 5 6 7 8 9 10

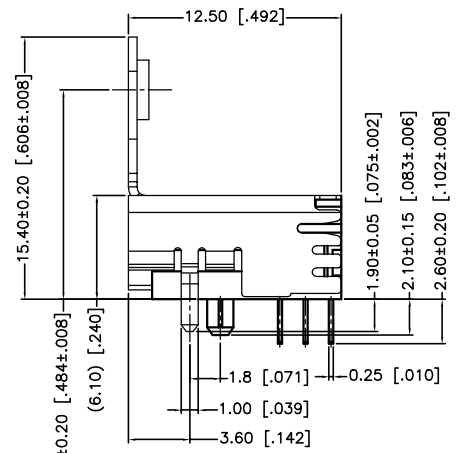
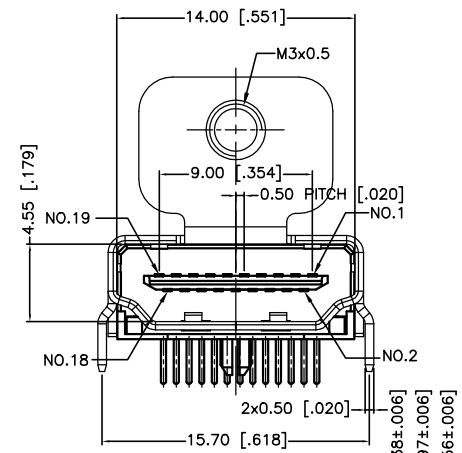
A



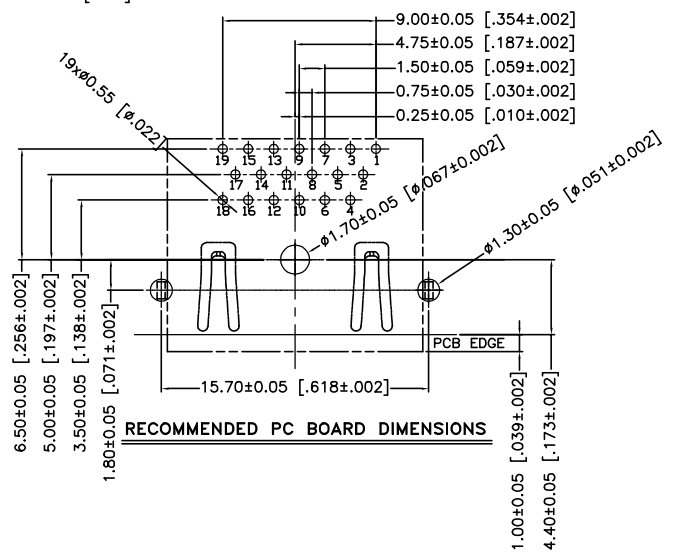
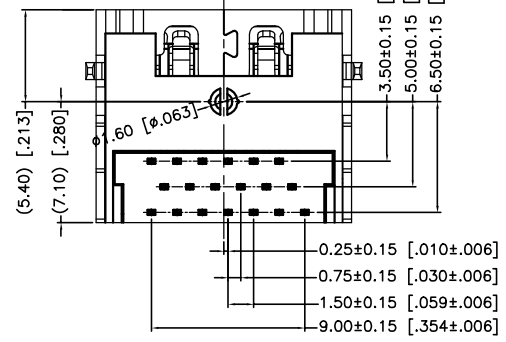
REFERENCE MOUNT DIMENSION



B



C



RECOMMENDED PC BOARD DIMENSIONS

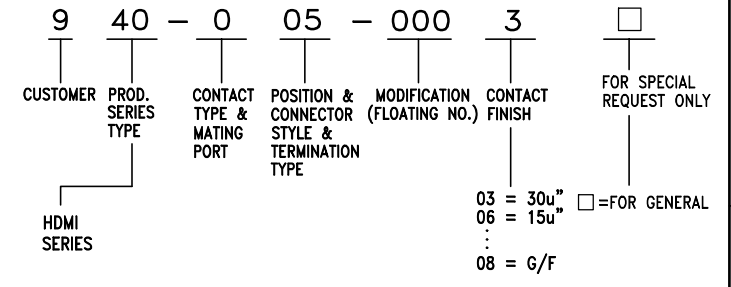
D

E

F

NOTE:

- MATERIAL:
CONTACT-COPPER ALLOY.
HOUSING-HIGH TEMPERATURE PLASTIC UL 94V-0, COLOR BLACK.
COVER-HIGH TEMPERATURE PLASTIC UL 94V-0, COLOR BLACK.
SHELL-COPPER ALLOY.
- FINISH:
CONTACTS-HARD GOLD ON MATING AREA, 100U" TIN ON TERMINATION AREA, OVER NICKEL OVER ALL.
SHELL-SOLDERABLE NICKEL PLATED.
- PROD. NUMBER: SEE 940-005-0000.
PROD.CODE SPECIFICATION.



PROPRIETARY NOTE:

THIS DOCUMENT CONTAINS INFORMATION CONFIDENTIAL AND PROPRIETARY TO LONGWELL COMPANY AND SHALL NOT BE REPRODUCED OR TRANSFERRED TO OTHER DOCUMENTS OR DISCLOSED TO OTHERS OR USED FOR ANY PURPOSE OTHER THAN THAT FOR WHICH IT WAS OBTAINED WITHOUT THE EXPRESSED WRITTEN CONSENT OF LONGWELL COMPANY.

X. ±	APPD:
.X ± 0.25 [.010]	Mari 03.01'2009
.XX ± 0.20 [.008]	CHKD:
.XXX ± 3'	Mari 03.01'2009
X' ± 2'	DR:
.X' ± 1'	Betty Tai 03.01'2009

	TITLE:
	CONN. HDMI RECEPTACLE 19P T/H, WITH FLANGE
DWG NO:	940-005-0000

UNITS:	SCALE:
mm [INCH]	NONE

SHEET: 1 OF 2	REV: A
---------------	--------

A	-	DWG.REL.	Mari	03.01'2009	
REV	ECN	NO	DESCRIPTION	APPD.	DATE

Performance Criterion:

- Electrical–

Contact Current Rating: 0.5A at 40 V AC min. per contact.

Low Level Contact Resistance: 30 m Ω max.

Insulation Resistance: 100 M Ω min.

Dielectric Withstanding Voltage: 500 V DC for one minute at sea level.

- Mechanical–


Durability: 10,000 mating cycles at 100 \pm 50 cycles per hour.

Mating Force: 44.1 N max.(4.5Kg) at a max. rate of 25mm per minute.

Unmating Force: 9.8 N min.(1.0Kg); 39.2N max.(4.0Kg)
at a max. rate of 25mm per minute.

- Environmental–

Temperature: -55 $^{\circ}$ C to +85 $^{\circ}$ C

TITLE: SPECIFICATION	 Longwell
PROD SERIES: CONN. HDMI RECEPTACLE 19P T/H, WITH FLANGE	APPD: Mari 03.01'2009 CHKD: Mari 03.01'2009
DWG NO: 940-005-0000	PR: Betty Tai 03.01'2009 SHEET: 2 OF 2 REV: A