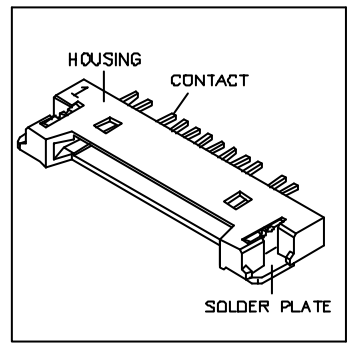
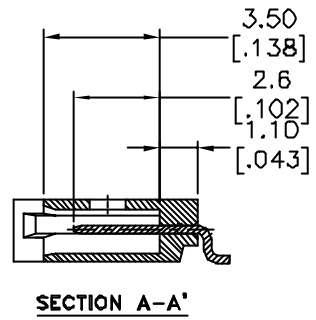
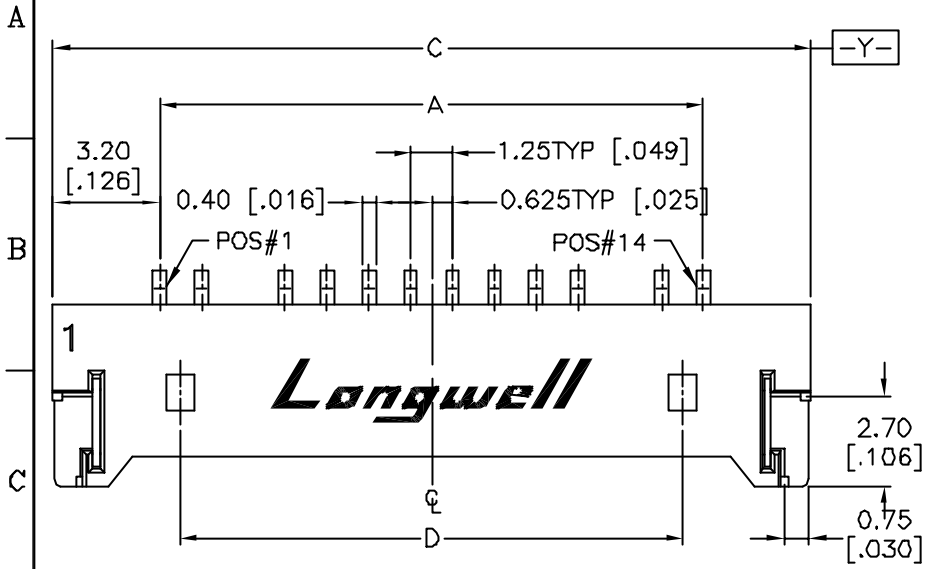
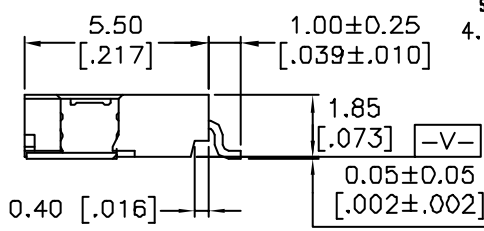
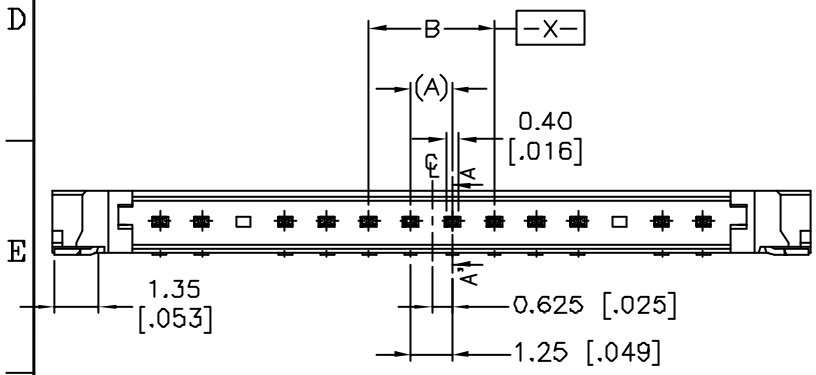
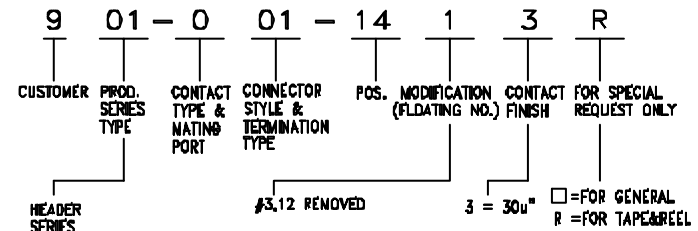


REV	ECN NO	DESCRIPTION	APPD.	DATE
F	901-001-007	CUSTOMER REQUEST MAJOR CHG	Mari	08.12'2008
E	901-001-004	ADD OF PPOS. NO. 901-001-0018R	Mari	07.24'2008
D	901-001-002	ADD PART NO. PPOS. NO. 901-001-0015R	Mari	07.21'2008
C	901-001-001	ADD PART NO. FOR POS 3,12 REMOVED	Terry	07.20'2007
B	901-001-000	CHANGE HOUS 14P MARK POSITION	Terry	12.29'2000
A	901-001-000	DWG.REL.	Terry	08.02'2000



NOTE:

- MATERIAL:
CONTACT—COPPER ALLOY.
HOUSING—HIGH TEMP. UL 94V-0 RATED,COLOR: IVORY
SOLDER PLATE—COPPER ALLOY.
- FINISH:
CONTACT—HARD GOLD ON MATING AREA,
150u" TIN/LEAD ON TERMINATION AREA,
OVER 50u" NICKEL OVER ALL.
SOLDER PLATE—100u" MIN TIN/LEAD PLATED.
- PROD. NUMBER: SEE 901-001-0000.
PROD.CODE SPECIFICATION.



4. RECOMMENDED PC BOARD THICKNESS: 0.56mm MAX.

PROD. NO.	POS.	TYPE	DIM.			
			A	B	C	D
901-001-0015R	B	■	8.75	11.27	15.15	7.50
901-001-0215R	2	HALOGEN FREE	1.25	3.77	7.65	-
901-001-1405R	14		16.26	18.77	22.58	18.00
901-001-0205R	2	I	1.25	3.77	7.65	-

PROPRIETARY NOTE:
THIS DOCUMENT CONTAINS INFORMATION CONFIDENTIAL AND PROPRIETARY TO LONGWELL COMPANY AND SHALL NOT BE REPRODUCED OR TRANSFERRED TO OTHER DOCUMENTS OR DISCLOSED TO OTHERS OR USED FOR ANY PURPOSE OTHER THAN THAT FOR WHICH IT WAS OBTAINED WITHOUT THE EXPRESSED WRITTEN CONSENT OF LONGWELL COMPANY.

REV	ECN NO	DESCRIPTION	APPD.	DATE
F	017-0000-000	CUSTOMER REQUEST HALOGEN FREE	Mari	06.12'2008
E	017-0000-004	ADD BP PROD. NO.001-001-0000P	Mari	07.24'2008
D	017-0000-004	ADD PART NO. PROD. NO.001-001-0215R	Mari	07.21'2008
C	017-0001-000	ADD PART NO. FOR POS 3,12 REMOVED	Terry	02.20'2007
B	017-0000-000	CHANGE HOUS 14P MARK POSITION	Terry	12.29'2000
A	017-0000-000	DWG.REL.	Terry	08.02'2000

X ± 0.36 [.015]	APPD: Mari Chen 07.24'2008	
.X ± 0.25 [.010]	CHKD: Mari Chen 07.24'2008	
.XX ± 0.15 [.005]	DR: Steve Tsai 07.24'2008	TITLE: CONN. WIRE TO BOARD WAFER 1.25mm PITCH SMT R/A
X ± 3'		DWG NO: 901-001-0000
X ±		SHEET: 2 OF 4 REV: F

Performance Criterion:

- Electrical—

Current Rating: 1.0 A per contact.

Voltage Rating: 125VAC per contact.

Contact Resistance: 20 m Ω max. initial, per contact

Insulation Resistance: 100M Ω min.

Dielectric Withstanding Voltage: 250VAC. min. for 1 minute
between adjacent circuits.


- Mechanical—

Durability: 30 cycles not exceeding 20m Ω increase in contact
resistance.

Total mating force: 0.21Kg (2.1N) max. per circuit.

- Environmental—

Operating Temperature: -40°C to +85°C.

TITLE: SPECIFICATION	
PROD SERIES: CONN. WIRE TO BOARD WAFER 1.25mm PITCH SMT R/A	APPD: Mari Chen 07.24'2008
DWG NO: 901-001-0000	CHKD: Mari Chen 07.24'2008
	PR: Steve Tsai 07.24'2008
	SHEET: 4 OF 4 REV: F